

Standard Trim Finish Selections

Kwik-Wall offers two trim and hinge colors for our 3000 Series and 2000 series operable walls. You can specify either color with any standard vinyl, fabric, acoustical carpet, wood veneer or approved custom panel finish material.



RAL# 7000
GREY



RAL# 8014
BRONZE

Kwik-Wall trim components include flexible vinyl sweep and seal extrusions, painted edge trim pieces, pull handles, eraser trays, and horizontal work surface trim.

Vinyl Sweep & Trim

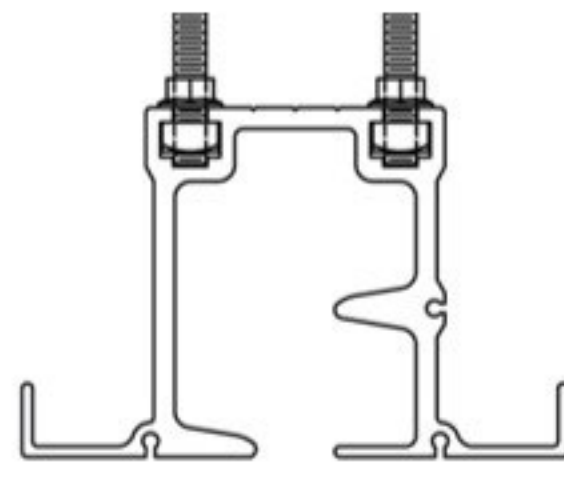
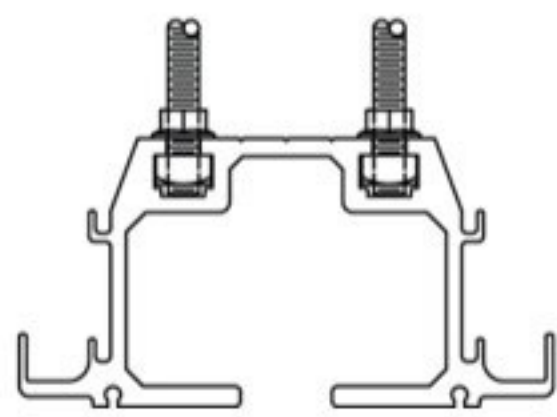
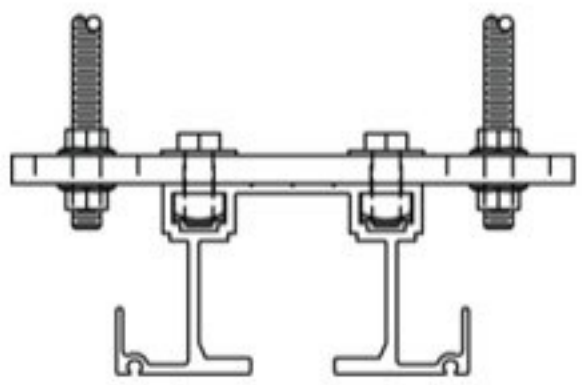
Painted Metal



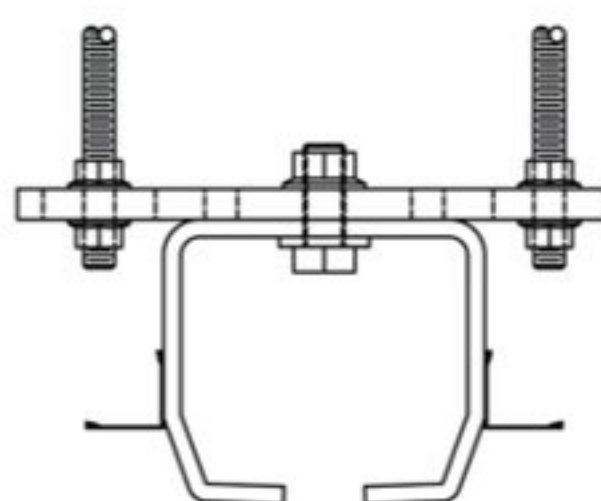
Actual color may vary from what is shown due to variations between the print, vinyl extrusion, and powder coating processes.

Room lighting may also change the color's appearance.

Standard Operable Wall Track Finish Options



Aluminum Track: Clear Satin-Anodized



Steel Track: Powder Coated
Standard: Off White
Optional: Custom RAL Colors

